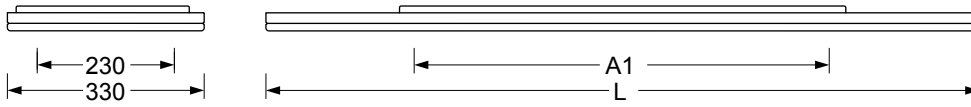




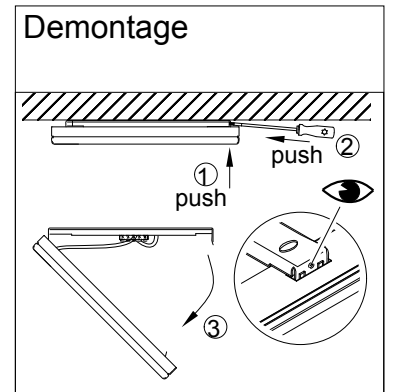
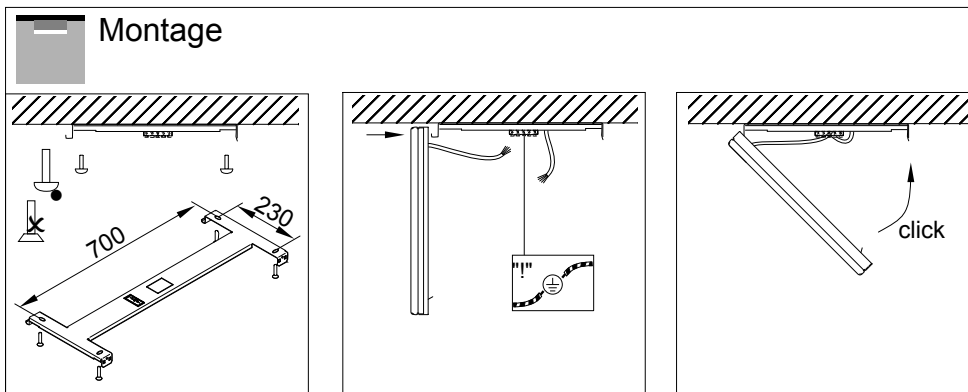
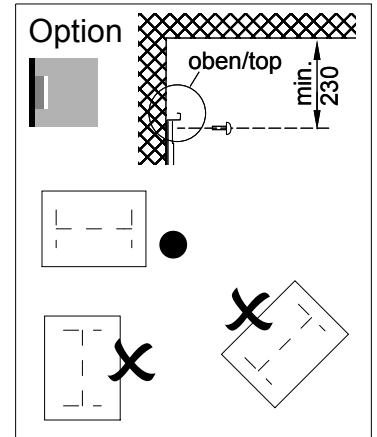
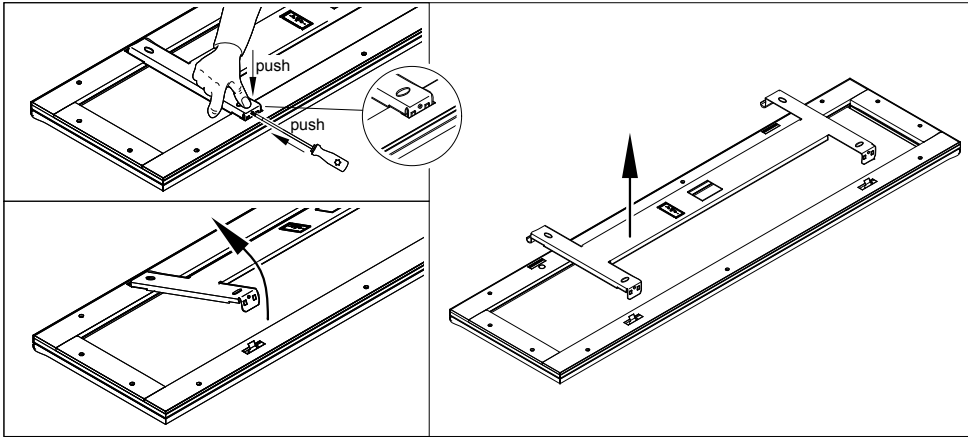
lichtwerk GmbH
 D-97486 Königsberg/Bay.
 fon +49 9525 9827-0
 fax +49 9525 9827-300
 www.lichtwerk.de
 info@lichtwerk.de

RSAL.

44



RSAL./1200	L 1199	A1 700
RSAL./1500	L 1480	A1 700



rason DALI																																
	<ul style="list-style-type: none"> - Ein / Aus / Dimmen - - On / Off / Dimming - 	<table border="1"> <tr> <td>ext.</td> <td>3</td> <td>N</td> <td></td> <td>int.</td> <td>tr/tr</td> </tr> <tr> <td>DAN</td> <td></td> <td></td> <td></td> <td></td> <td>bl/bl</td> </tr> <tr> <td>PE</td> <td></td> <td></td> <td></td> <td></td> <td>gnge/gnye</td> </tr> <tr> <td>L</td> <td></td> <td></td> <td>1</td> <td></td> <td>bn/bn</td> </tr> <tr> <td>DA</td> <td></td> <td></td> <td>2</td> <td></td> <td>sw/bk</td> </tr> </table>	ext.	3	N		int.	tr/tr	DAN					bl/bl	PE					gnge/gnye	L			1		bn/bn	DA			2		sw/bk
ext.	3	N		int.	tr/tr																											
DAN					bl/bl																											
PE					gnge/gnye																											
L			1		bn/bn																											
DA			2		sw/bk																											
	<ul style="list-style-type: none"> - Ein / Aus / Tast-Dim - - On / Off / Touch dim - 	<table border="1"> <tr> <td>ext.</td> <td>3</td> <td>N</td> <td></td> <td>int.</td> <td>tr/tr</td> </tr> <tr> <td>N</td> <td></td> <td></td> <td></td> <td></td> <td>bl/bl</td> </tr> <tr> <td>PE</td> <td></td> <td></td> <td></td> <td></td> <td>gnge/gnye</td> </tr> <tr> <td>L</td> <td></td> <td></td> <td>1</td> <td></td> <td>bn/bn</td> </tr> <tr> <td>L</td> <td></td> <td></td> <td>2</td> <td></td> <td>sw/bk</td> </tr> </table>	ext.	3	N		int.	tr/tr	N					bl/bl	PE					gnge/gnye	L			1		bn/bn	L			2		sw/bk
ext.	3	N		int.	tr/tr																											
N					bl/bl																											
PE					gnge/gnye																											
L			1		bn/bn																											
L			2		sw/bk																											

Art-Nr.: 531985 - 06/15

Achtung:
 Leuchte nicht öffnen!
 Garantieverlust!

Attention:
 N'est pas ouvrir le luminaire!
 Perte de garantie!

Attention:
 Don't open the luminaire!
 Loss of Guarantee!

Atención:
 Non abrir la luminara!
 Pérdida de garantía!

