



IP20     

Pendant modular light-channel fino-H LED LB

Housing

Extruded aluminium profile, natural anodised with white reflectors.

Rated life time = L80 B10 50.000h.

Light colour 830 available on request.

Lighting technology K

Flush with profile, white-opal frosted, extruded profile made from polycarbonate; self-engaging.

Lighting technology MP

Translucent polycarbonate extruded profile flush to ceiling, with inserted microprismatic diffuser; self-engaging.

Suspension

For endfaces fino-HTE A/E as well as for corner profile fino-HTL LED LB one suspension-kit is included in delivery. For each additional joint, the wire suspension incl. connector fino-SAY must be ordered.

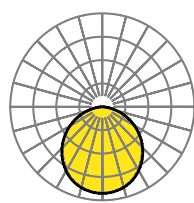
Miscellaneous

Electrical connection via three-pole or for dimmable luminaires, five-pole feed-in and connection terminal with plug-in technology, with integrated protective earth connection and unlocking button, suitable for rigid and flexible cables up to 2,5mm².

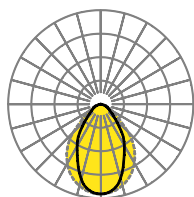
Accessories

Endfaces fino-HTE A/E, wire suspension fino-SAY and three- or five-pole connection cable fino-ALK must be ordered separately.

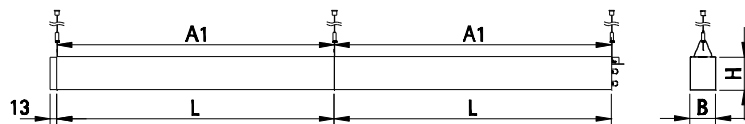
Insulation class I, protection rating IP20, F- and CE symbols, indoor



fino-HT+K 1400 LED 3000 840
 η_{LB} 100%
 $\phi_{\downarrow/\uparrow}$ 100% / 0%
 UGR q/l 23.5 / 23.9



fino-HT+MP 1400 LED 3500 840
 η_{LB} 100%
 $\phi_{\downarrow/\uparrow}$ 100% / 0%
 UGR q/l 19.7 / 21.5



System luminaire

Energy efficiency class luminaire A+

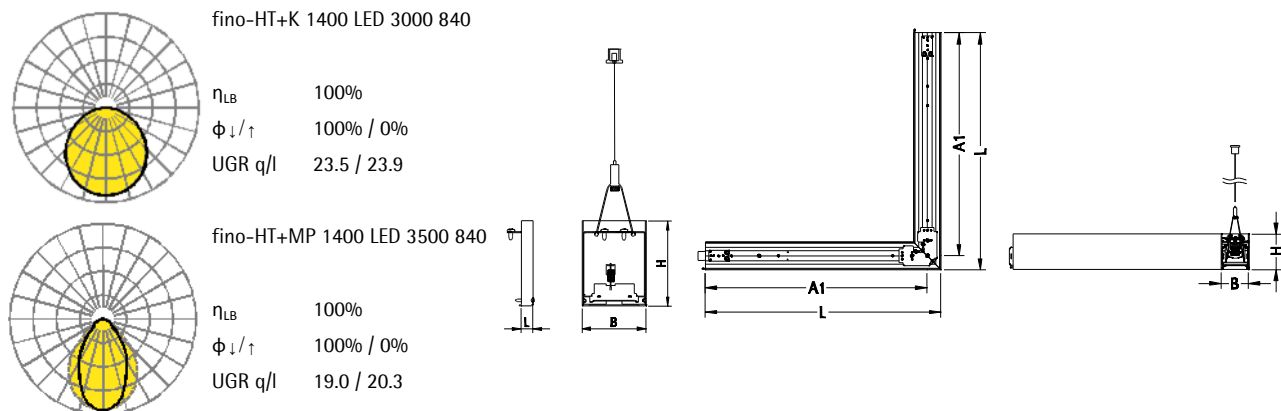
Type	ϕ K	ϕ MP	Lf	P _{sys}	lm/W	Colour	Item number
fino-HT 1100 LED 1300 ED 840 LB	1300	1500	840	14	93	ana	535 4044 105
fino-HT 1400 LED 1700 ED 840 LB	1700	1900	840	17	100	ana	535 5044 105
fino-HT 2200 LED 2600 ED 840 LB	2600	3800	840	28	93	ana	535 8044 105
fino-HT 2800 LED 3400 ED 840 LB	3400	3800	840	33	103	ana	535 0044 105
fino-HT 1100 LED 2400 ED 840 LB	2400	2800	840	24	100	ana	535 4144 105
fino-HT 1400 LED 3000 ED 840 LB	3000	3500	840	30	100	ana	535 5144 105
fino-HT 2200 LED 4800 ED 840 LB	4800	5600	840	48	100	ana	535 8144 105
fino-HT 2800 LED 6000 ED 840 LB	6000	7000	840	60	100	ana	535 0144 105
fino-HT 1100 LED 1300 DALI 840 LB	1300	1500	840	14	93	ana	535 4046 605
fino-HT 1400 LED 1700 DALI 840 LB	1700	1900	840	17	100	ana	535 5046 605
fino-HT 2200 LED 2600 DALI 840 LB	2600	3800	840	28	93	ana	535 8046 605
fino-HT 2800 LED 3400 DALI 840 LB	3400	3800	840	33	103	ana	535 0046 605
fino-HT 1100 LED 2400 DALI 840 LB	2400	2800	840	24	100	ana	535 4146 605
fino-HT 1400 LED 3000 DALI 840 LB	3000	3500	840	30	100	ana	535 5146 605
fino-HT 2200 LED 4800 DALI 840 LB	4800	5600	840	48	100	ana	535 8146 605
fino-HT 2800 LED 6000 DALI 840 LB	6000	7000	840	60	100	ana	535 0146 605

System luminaire dimensions

Type	L	B	H	A1	Pmin	Pmax	$\bar{\rho}$
fino-HT 1100 LED...	1129	72	92	1129	150	2000	3,5
fino-HT 1400 LED...	1410	72	92	1410	150	2000	4,3
fino-HT 2200 LED...	2258	72	92	2258	150	2000	7,0
fino-HT 2800 LED...	2820	72	92	2820	150	2000	8,6

System luminaire diffuser dimensions

Type	L	B	H	$\bar{\rho}$	Item number
fino-K 1100 LED diffuser	1129	56	16	0,2	135 1100 180
fino-K 1400 LED diffuser	1410	56	16	0,3	135 1400 180
fino-K 2200 LED diffuser	2258	56	16	0,4	135 2200 180
fino-K 2800 LED diffuser	2820	56	16	0,6	135 2800 180
fino-MP 1100 LED diffuser	1129	56	16	0,2	135 1100 150
fino-MP 1400 LED diffuser	1410	56	16	0,3	135 1400 150
fino-MP 2200 LED diffuser	2258	56	16	0,4	135 2200 150
fino-MP 2800 LED diffuser	2820	56	16	0,6	135 2800 150



Corner section Energy efficiency class luminaire A+

Type	ϕ K	ϕ MP	Lf	P _{sys}	lm/W	Colour	Item number
fino-HTL/L0600 LED 1300 ET 840 LB	1300	1500	840	14	93	ana	535 4044 125
fino-HTL/L0600 LED 2400 ET 840 LB	2400	2800	840	14	93	ana	535 4144 125
fino-HTL/L0600 LED 1300 DALI 840 LB	1300	1500	840	24	100	ana	535 4046 625
fino-HTL/L0600 LED 2400 DALI 840 LB	2400	2800	840	24	100	ana	535 4146 625
fino-HTL/R0600 LED 1300 ET 840 LB	1300	1500	840	14	93	ana	535 4044 115
fino-HTL/R0600 LED 2400 ET 840 LB	2400	2800	840	14	93	ana	535 4144 115
fino-HTL/R0600 LED 1300 DALI 840 LB	1300	1500	840	24	100	ana	535 4046 615
fino-HTL/R0600 LED 2400 DALI 840 LB	2400	2800	840	24	100	ana	535 4146 615

Corner section dimensions

Type	L	B	H	A1	P _{min}	P _{max}	\bar{w}
fino-HTL...	612	612	92	302	150	2000	4,2

Corner section accessories

Type	L	B	H	\bar{w}	Item number
fino-KC/0600 LED corner diffusor Set	604	56	16	0,3	135 0600 180
fino-MPC/0600 LED corner diffusor Set	604	56	16	0,3	135 0600 150

System accessories

Type	L	B	H	\bar{w}	Item number
fino-HTE LED A/E (K/MP) Set (pair) end-caps	13	72	93	0,4	535 0110 105
fino-SAY wire suspension incl. connector	2000	-	-	0,2	535 0000 105
fino-AL 3x0,75mm ² connection lead	2300	-	-	0,1	535 0037 105
fino-AL 5x0,75mm ² connection lead	2300	-	-	0,2	535 0057 105
Suction pad SH 55				0,1	903 0055 100

(a) = plasterboard ceiling; (b) = visible T-bar; (c) = concealed symmetric ceiling supports; (d) = concealed asymmetric ceiling supports; B = width *; D = diameter *; DA = ceiling type; DS = thickness min/max *; e = depth *; ETB = with mounting bracket; H = height *; K = gear-tray; KE = cable-entry *; L = length *; Lf = CCT; lm/W = lumen per watt; MB = ceiling module width *; ML = ceiling module length *; ϕ = flux [lm]; P = suspension length *; P_{sys} = system [W]; SB = cut-out width *; SD = cut-out diameter *; SL = cut-out length *; * = [mm]; \bar{w} = weight [kg]; α_{max} = beam angle [°]