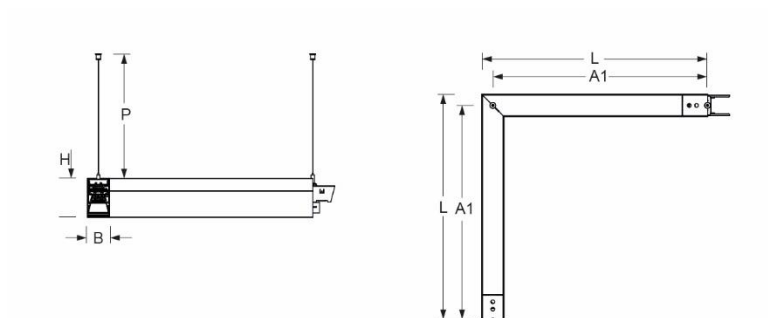


Pendant system luminaire. Aluminum profile incl. LED-unit, 90° L-shaped, naturally anodised. Housing colour traffic white RAL 9016. Direct/indirect distribution. Constant indirect share via white-opal, satin-finished acrylic diffusor throughout all system components. Direct share via white-opal, satin finished acrylic endless diffusor serio-G. Feed-in and through wiring plug-in system 10A. For system profile serio-HIT LB one wire suspension is in scope of delivery. Available accessories: face-ends with wire suspension incl. connection cord and canopy set serio-HITE LED A/E Set 3x0,75 vw (5430137101); connection cord serio-AL 3x0,75 (5430037105); endless diffusor 6m serio-G/06000 LED (5430600180); 10m serio-G/10000 LED (5431000180); 20m serio-G/20000 LED (5432000180);



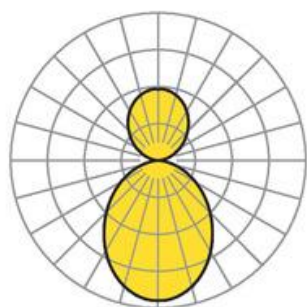
- Article No.: 5434144111
- Housing material: Aluminium
- Housing colour: traffic white RAL 9016
- Light distribution: direct/indirect distribution
- Type of installation: Pendant light strip mounting
- Certification mark: IP 20, Protection class I, F, Indoor, CE

## Dimensions



- Dimensions LxWxH/DxH: 615 x 61 x 106 (mm)
- Pendant length min/max: 150 / 2000 (mm)
- Mounting distance A1: 585 (mm)
- Weight (net): 4.3 (kg)

## Lighting/Electrical



- Placement: LED, Colour rendering/Light colour CRI  $\geq 80$  / 4000K
- Direct/Indirect: 64 % / 36 %
- UGR lat/lon: 16.5 / 16.5
- Luminaire luminous flux: 6200 (lm)
- LED service life: 50000h L80/B10 (Tq 25°C)
- Luminaire luminous efficacy: 112 (lm/W)
- System output: 55 (W)
- Controller: Electronic driver (1 pcs.)
- Mains voltage max.: 230 V / 50 Hz
- Driver/Breaker: 8 pieces/B10 <br /> 13 pieces/B16 | 13 pieces/C10 | 21 pieces/C16
- Energy efficiency class: C