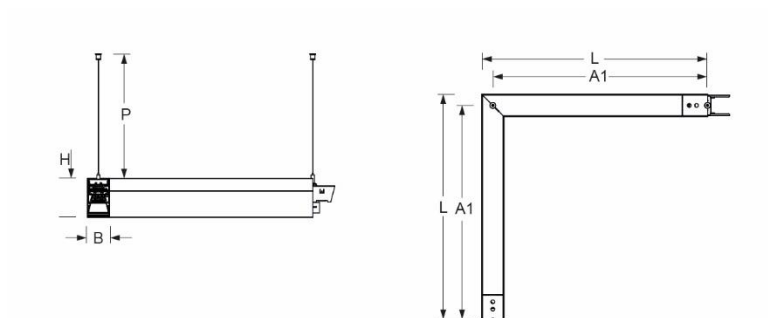


Pendant system luminaire. Aluminum profile incl. LED-unit, 90° L-shaped, naturally anodised. Housing colour natural anodised aluminum. Direct/indirect distribution, separately dimmable. Constant indirect share via white-opal, satin-finished acrylic diffuser throughout all system components. Direct share via white-opal, satin finished acrylic endless diffuser serio-G. Durchgangsverdrahtung Stecksystem 10A. For system profile serio-HIT LB one wire suspension is in scope of delivery. Als Zubehör erhältlich: Stirnseiten mit Abhängung und Anschlussleitung Set serio-HITE LED A/E Set 5x0,75 sw (5430157104); Anschlussleitung serio-AL 5x0,75 (5430057105); Endlosdiffusor 6m serio-G/06000 LED (5430600180); 10m serio-G/10000 LED (5431000180); 20m serio-G/20000 LED (5432000180);



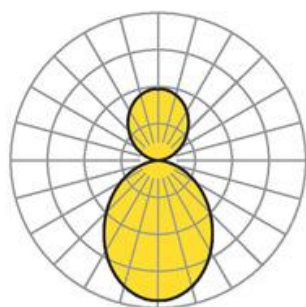
- Article No.: 5434126915
- Housing material: Aluminium
- Housing colour: natural anodised aluminum
- Light distribution: direct/indirect distribution
- Type of installation: Pendant light strip mounting
- Certification mark: IP 20, Protection class I, F, Indoor, CE

## Dimensions



- Dimensions LxWxH/DxH: 615 x 61 x 106 (mm)
- Pendant length min/max: 150 / 2000 (mm)
- Mounting distance A1: 585 (mm)
- Weight (net): 4.7 (kg)

## Lighting/Electrical



- Placement: LED, Colour rendering/Light colour CRI  $\geq 90$  / 2700K-6500K continuously adjustable
- Direct/Indirect: 64 % / 36 %
- UGR lat/lon: 16.4 / 16.4
- Luminaire luminous flux: 6100 (lm)
- LED service life: 50000h L80/B10 (Tq 25°C)
- Luminaire luminous efficacy: 87 (lm/W)
- System output: 70 (W)
- Controller: Electronic driver DALI device type 8 (2 pcs.)
- Mains voltage max.: 230 V / 50 Hz
- Driver/Breaker: 13 pieces/B10<br />22 pieces/B16|21 pieces/C10|36 pieces/C16
- Energy efficiency class: F