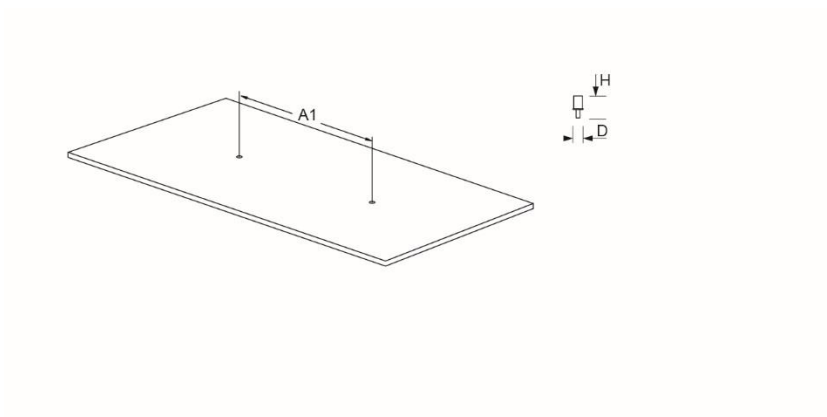


Suspension accessories. Mounting set for load-bearing system panels. Panel thickness 1-5mm. Housing colour silver.



- Article No.: 5695000130
- Housing colour: silver
- Type of installation: Individual recessed mounting, Installation of light run installations
- Certification mark: IP 20, Indoor, CE

Dimensions



- Dimensions LxWxH/DxH: 26 x 32 (mm)
- Ceiling cut-out LxW/D: 13 (mm)
- Ceiling thickness min/max: 1 / 5 (mm)
- Mounting distance A1: 520 (mm)
- Weight (net): 0.07 (kg)