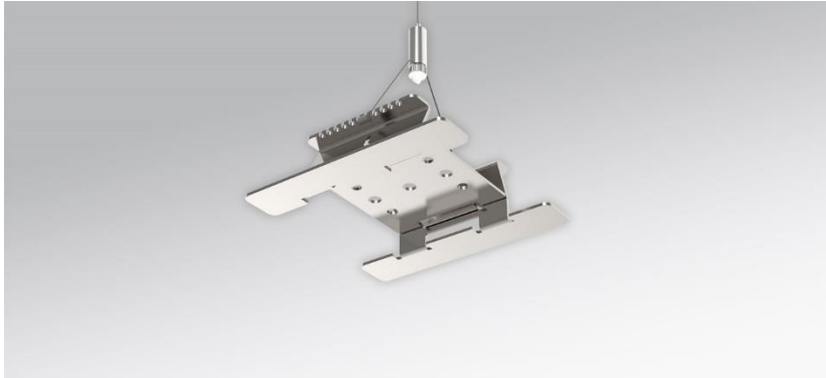


Suspension accessories. Wire suspension for fino-HT/...LED...LB joints incl. connectors. Ceiling cylinder for horizontal ceilings. Housing colour silver.



- Article No.: 5350000105
- Housing material: St
- Housing colour: silver
- Type of installation: Pendant light strip mounting
- Certification mark: CE

Dimensions

- Dimensions LxWxH/DxH: 1 x 2000 (mm)
- Pendant length min/max: 100 / 2000 (mm)
- Weight (net): 0.1 (kg)