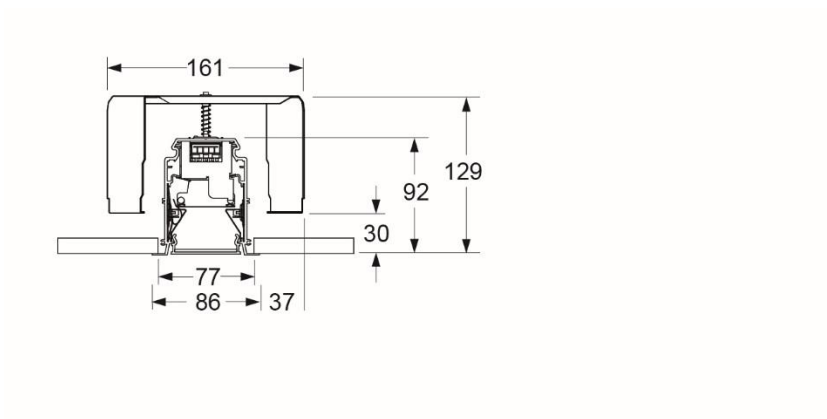


Mounting set. Swivel bracket set for fino continuous light line assembly in cut-out ceilings. Swivel bracket made of galvanized sheet steel. For the lengths 1100 and 1400 one set is required. For the lengths 2200 and 2800 as well as the corners 2 sets each are needed. Housing colour galvanised.



- Article No.: 1350002105
- Housing material: StZn
- Housing colour: galvanised
- Type of installation: Ceiling installation light strip mounting
- Certification mark: CE

Dimensions



- Dimensions LxWxH/DxH: 162 x 76 x 94 (mm)
- Ceiling system: cut-out ceilings [AD]
- Ceiling thickness min/max: 11 / 30 (mm)
- Weight (net): 0.342 (kg)