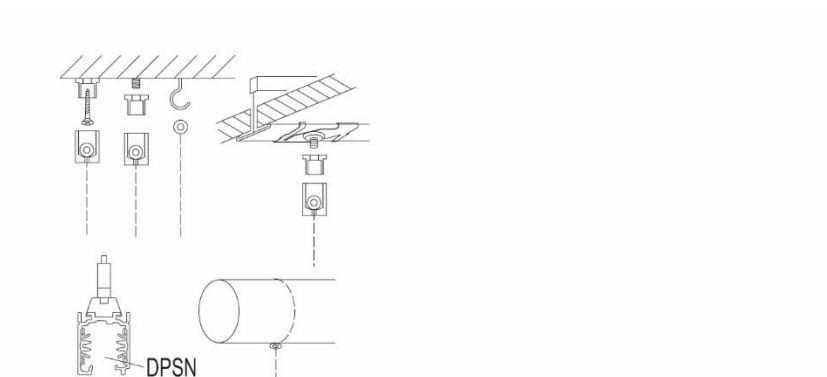


Wire suspension. Pendant set for three-phase-track DPSN, ceiling cylinder for horizontal ceilings. Maximum load 100N, steel wire 5200mm, maximum spacing 900mm, freely adjustable. Housing colour silver grey/white aluminium RAL 9006.



- Article No.: 3244009115
- Housing material: Mix
- Housing colour: silver grey/white aluminium RAL 9006
- Type of installation: Track mounting, Light structure
- Certification mark: IP 20, Protection class I, Indoor, CE

## Dimensions



- Dimensions LxWxH/DxH: 1 x 5200 (mm)
- Pendant length min/max: 100 / 5200 (mm)
- Weight (net): 0.044 (kg)